




PROPOSED KONDININ COMMUNITY RECREATION CENTRE AT:
 LOT 263 (#49) GORDON STREET
 KONDININ WA 6367

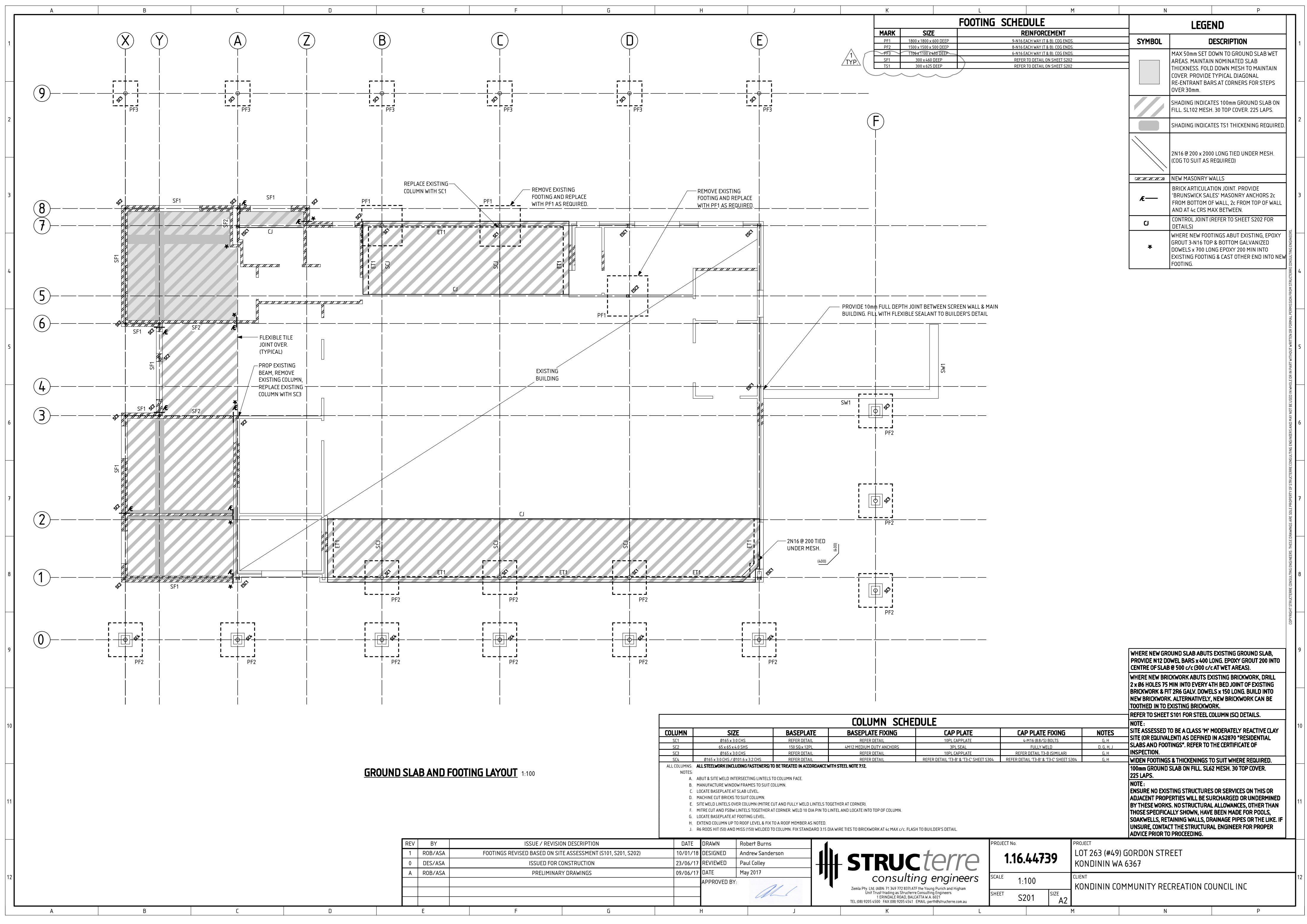
CLIENT:
 KONDININ COMMUNITY RECREATION COUNCIL INC

SHEET N°	CONTENTS
S101	GENERAL NOTES & SPECIFICATIONS
S201	GROUND SLAB & FOOTING LAYOUT
S202	GROUND SLAB & FOOTING DETAILS
S301	ROOF PLAN
S302	DETAILS - SHEET 1
S303	DETAILS - SHEET 2
S304	DETAILS - SHEET 3

REV	BY	ISSUE / REVISION DESCRIPTION	DATE
A	ROB/ASA	PRELIMINARY DRAWINGS	09/06/17
0	DES/ASA	ISSUED FOR CONSTRUCTION	23/06/17

COVER SHEET

	DRAWN Robert Burns	PROJECT N°
	DESIGNED Andrew Sanderson	1.16.44739
	REVIEWED Paul Colley	



MARK	SIZE	REINFORCEMENT
PF1	1800 x 1800 x 600 DEEP	9-N16 EACH WAY (T & B), COG ENDS
PF2	1500 x 1500 x 500 DEEP	8-N16 EACH WAY (T & B), COG ENDS
PF3	1100 x 1100 x 450 DEEP	6-N16 EACH WAY (T & B), COG ENDS
SF1	300 x 440 DEEP	REFER TO DETAIL ON SHEET S202
TS1	300 x 625 DEEP	REFER TO DETAIL ON SHEET S202

LEGEND	
SYMBOL	DESCRIPTION
[Hatched Box]	MAX 50mm SET DOWN TO GROUND SLAB WET AREAS. MAINTAIN NOMINATED SLAB THICKNESS. FOLD DOWN MESH TO MAINTAIN COVER. PROVIDE TYPICAL DIAGONAL RE-ENTRANT BARS AT CORNERS FOR STEPS OVER 30mm.
[Diagonal Hatched Box]	SHADING INDICATES 100mm GROUND SLAB ON FILL. SL10Z MESH. 30 TOP COVER. 225 LAPS.
[Solid Grey Box]	SHADING INDICATES TS1 THICKENING REQUIRED.
[Diagonal Hatched Box]	2N16 @ 200 x 2000 LONG TIED UNDER MESH. (COG TO SUIT AS REQUIRED)
[Dashed Line]	NEW MASONRY WALLS
[Line with Hook]	BRICK ARTICULATION JOINT. PROVIDE 'BRUNSWICK SALES' MASONRY ANCHORS 2c FROM BOTTOM OF WALL, 2c FROM TOP OF WALL AND AT 4c CRS MAX BETWEEN.
[Square with 'C']	CONTROL JOINT (REFER TO SHEET S202 FOR DETAILS)
[Star]	WHERE NEW FOOTINGS ABUT EXISTING, EPOXY GROUT 3-N16 TOP & BOTTOM GALVANIZED DOWELS x 700 LONG EPOXY 200 MIN INTO EXISTING FOOTING & CAST OTHER END INTO NEW FOOTING.

COLUMN	SIZE	BASEPLATE	BASEPLATE FIXING	CAP PLATE	CAP PLATE FIXING	NOTES
SC1	Ø165 x 3.0 CHS	REFER DETAIL	REFER DETAIL	10PL CAPPLATE	4-M16 (B/B/S) BOLTS	G, H
SC2	65 x 65 x 4.0 SHS	150 SQ x 12PL	4M12 MEDIUM DUTY ANCHORS	3PL SEAL	FULLY WELD	D, G, H, J
SC3	Ø165 x 3.0 CHS	REFER DETAIL	REFER DETAIL	10PL CAPPLATE	REFER DETAIL T3-B (SIMILAR)	G, H
SC4	Ø165 x 3.0 CHS / Ø101.6 x 3.2 CHS	REFER DETAIL	REFER DETAIL	REFER DETAIL T3-B & T3-C SHEET S304	REFER DETAIL T3-B & T3-C SHEET S304	G, H

ALL COLUMNS: ALL STEELWORK (INCLUDING FASTENERS) TO BE TREATED IN ACCORDANCE WITH STEEL NOTE F12.

NOTES:
 A. ABUT & SITE WELD INTERSECTING LINTELS TO COLUMN FACE.
 B. MANUFACTURE WINDOW FRAMES TO SUIT COLUMN.
 C. LOCATE BASEPLATE AT SLAB LEVEL.
 D. MACHINE CUT BRICKS TO SUIT COLUMN.
 E. SITE WELD LINTELS OVER COLUMN (MITRE CUT AND FULLY WELD LINTELS TOGETHER AT CORNER).
 F. MITRE CUT AND FSBW LINTELS TOGETHER AT CORNER. WELD 10 DIA PIN TO LINTEL AND LOCATE INTO TOP OF COLUMN.
 G. LOCATE BASEPLATE AT FOOTING LEVEL.
 H. EXTEND COLUMN UP TO ROOF LEVEL & FIX TO A ROOF MEMBER AS NOTED.
 J. R6 RODS HIT (50) AND MISS (150) WELDED TO COLUMN. FIX STANDARD 3.15 DIA WIRE TIES TO BRICKWORK AT 4c MAX c/c. FLASH TO BUILDER'S DETAIL.

WHERE NEW GROUND SLAB ABUTS EXISTING GROUND SLAB, PROVIDE N12 DOWEL BARS x 400 LONG. EPOXY GROUT 200 INTO CENTRE OF SLAB @ 500 c/c (300 c/c AT WET AREAS).

WHERE NEW BRICKWORK ABUTS EXISTING BRICKWORK, DRILL 2 x Ø6 HOLES 75 MIN INTO EVERY 4TH BED JOINT OF EXISTING BRICKWORK & FIT 2R6 GALV. DOWELS x 150 LONG. BUILD INTO NEW BRICKWORK. ALTERNATIVELY, NEW BRICKWORK CAN BE TOOTHED IN TO EXISTING BRICKWORK.

REFER TO SHEET S101 FOR STEEL COLUMN ISQ DETAILS.

NOTE:
 SITE ASSESSED TO BE A CLASS 'M' MODERATELY REACTIVE CLAY SITE (OR EQUIVALENT) AS DEFINED IN AS2870 "RESIDENTIAL SLABS AND FOOTINGS". REFER TO THE CERTIFICATE OF INSPECTION.

WIDEN FOOTINGS & THICKENINGS TO SUIT WHERE REQUIRED.
 100mm GROUND SLAB ON FILL. SL6Z MESH. 30 TOP COVER. 225 LAPS.

NOTE:
 ENSURE NO EXISTING STRUCTURES OR SERVICES ON THIS OR ADJACENT PROPERTIES WILL BE SURCHARGED OR UNDERMINED BY THESE WORKS. NO STRUCTURAL ALLOWANCES, OTHER THAN THOSE SPECIFICALLY SHOWN, HAVE BEEN MADE FOR POOLS, SOAKWELLS, RETAINING WALLS, DRAINAGE PIPES OR THE LIKE. IF UNSURE, CONTACT THE STRUCTURAL ENGINEER FOR PROPER ADVICE PRIOR TO PROCEEDING.

GROUND SLAB AND FOOTING LAYOUT 1:100

REV	BY	ISSUE / REVISION DESCRIPTION	DATE	DRAWN	Robert Burns
1	ROB/ASA	FOOTINGS REVISED BASED ON SITE ASSESSMENT (S101, S201, S202)	10/01/18	DESIGNED	Andrew Sanderson
0	DES/ASA	ISSUED FOR CONSTRUCTION	23/06/17	REVIEWED	Paul Colley
A	ROB/ASA	PRELIMINARY DRAWINGS	09/06/17	DATE	May 2017

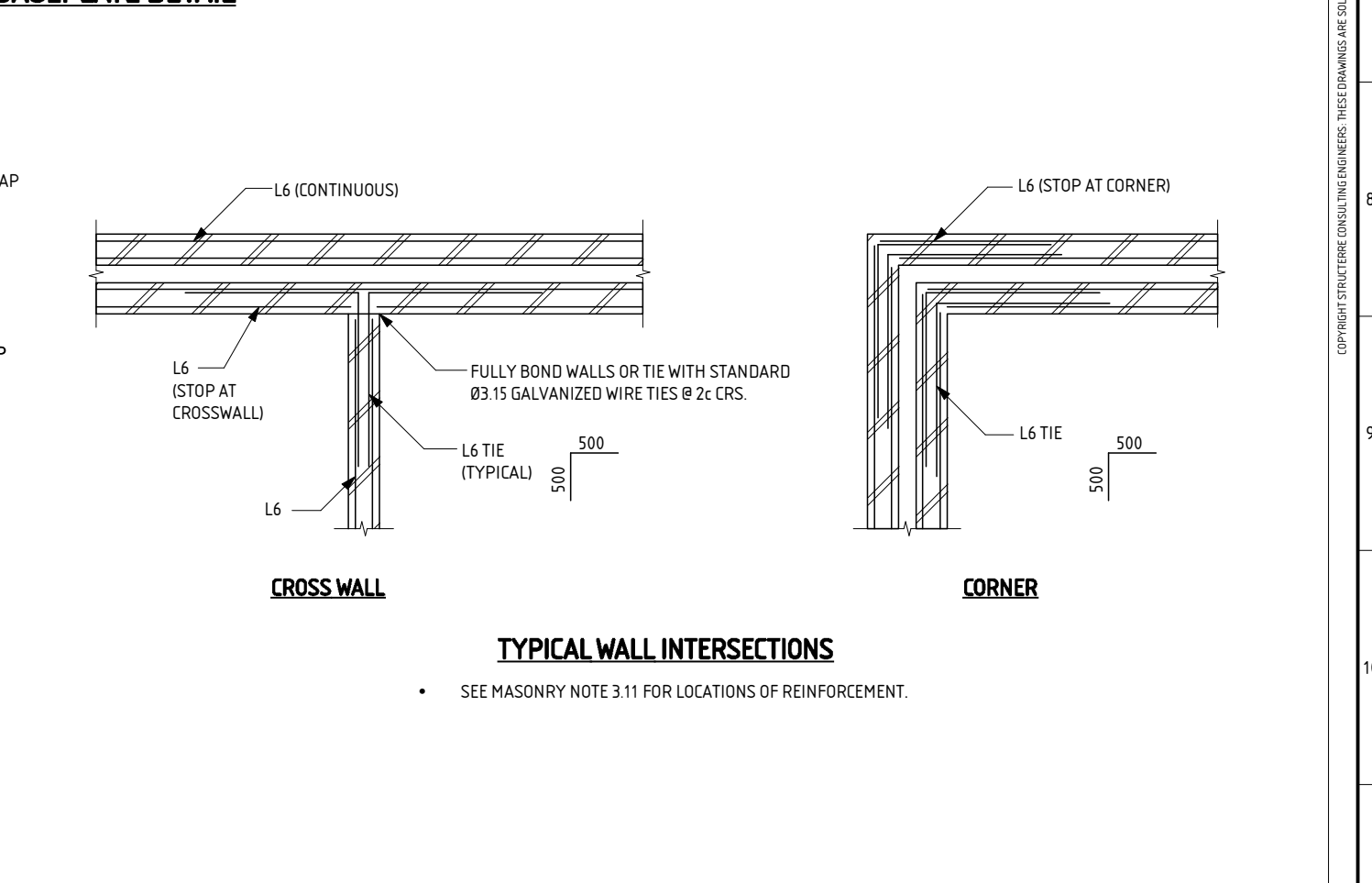
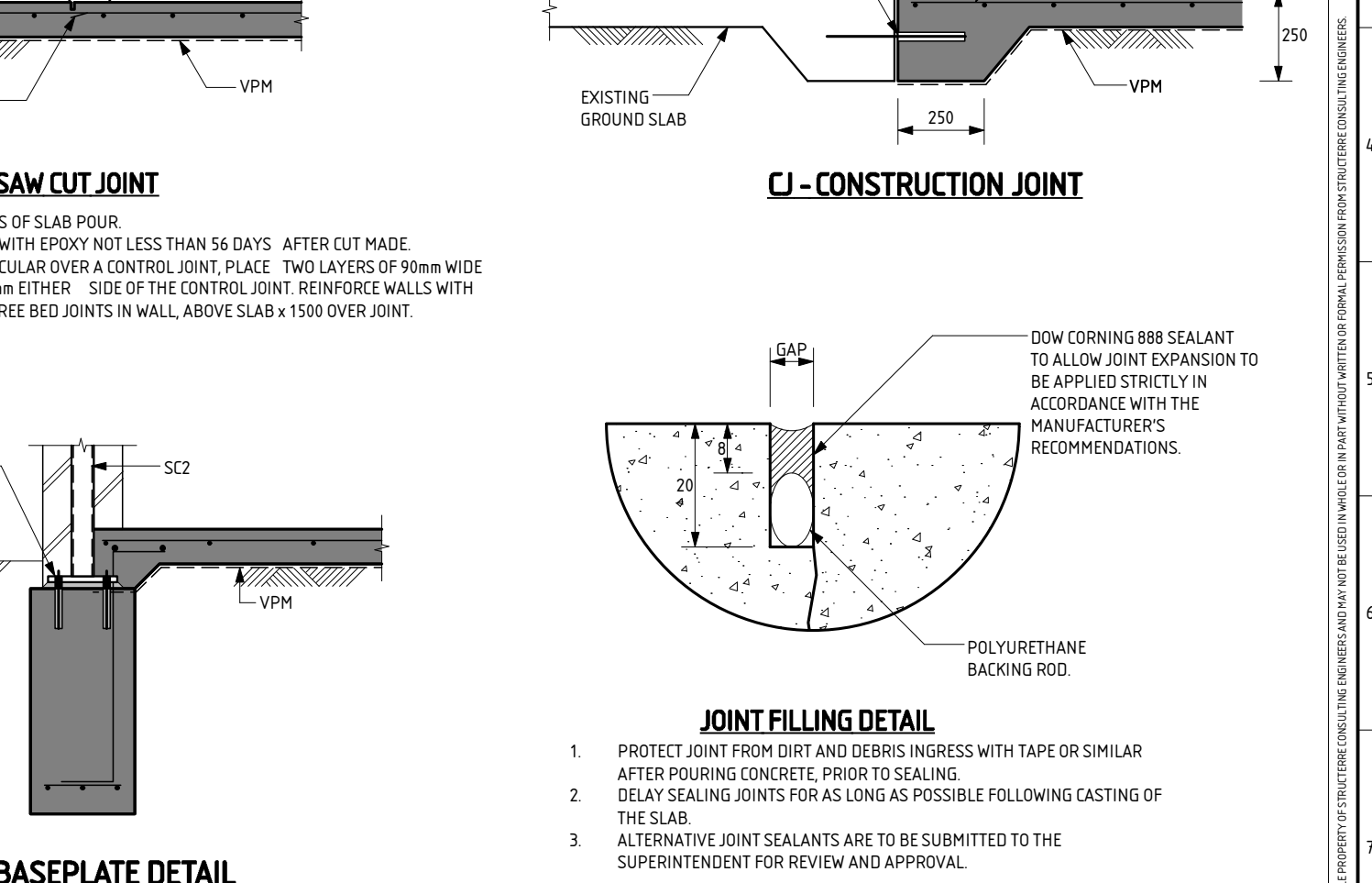
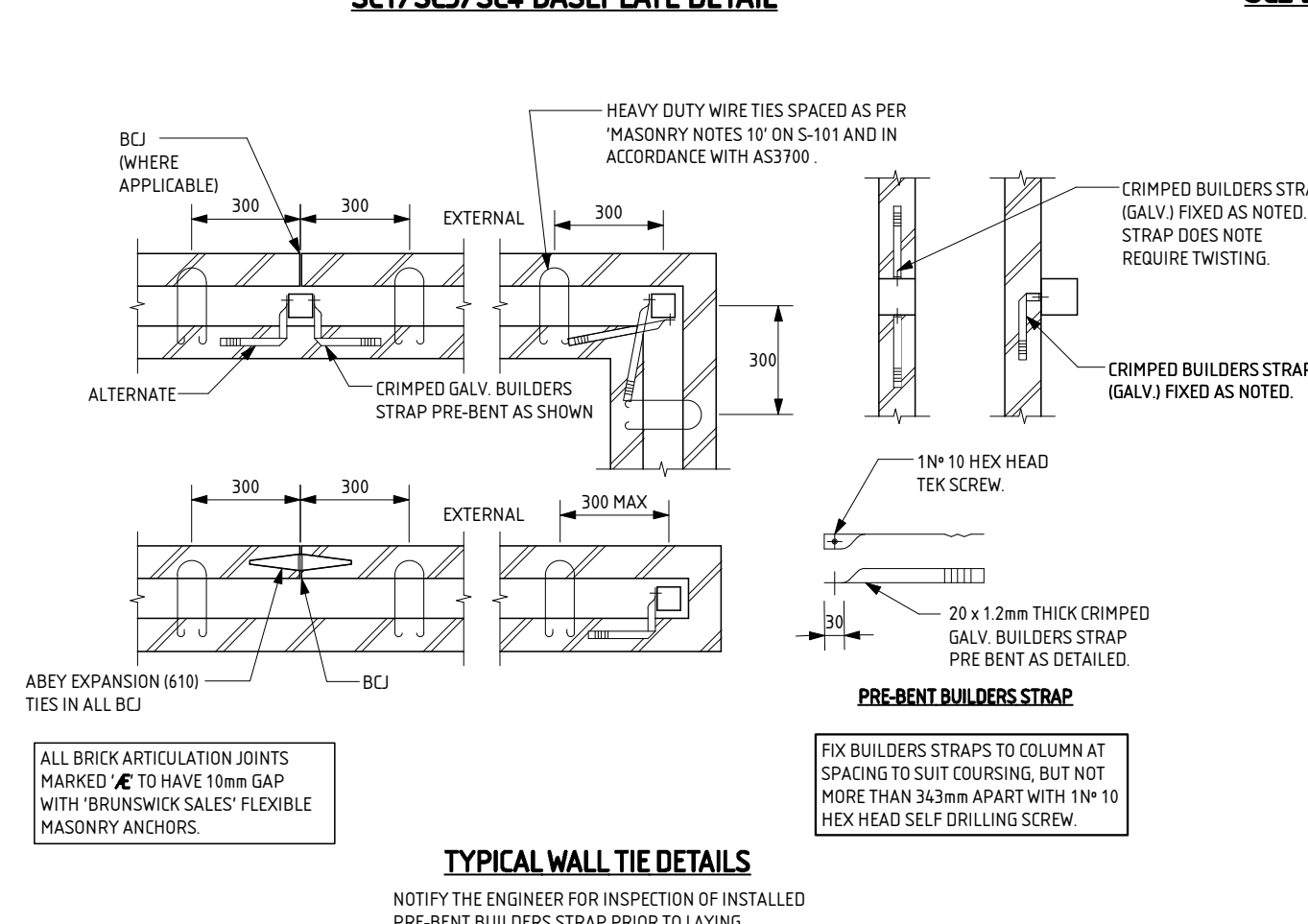
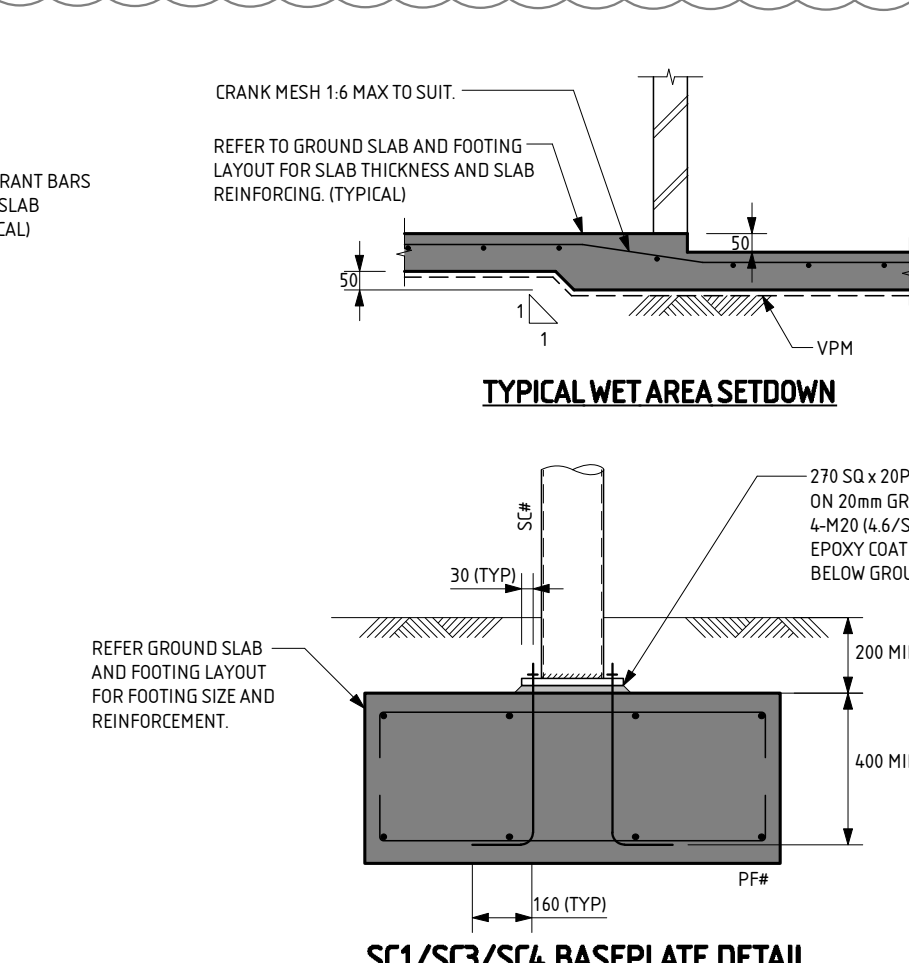
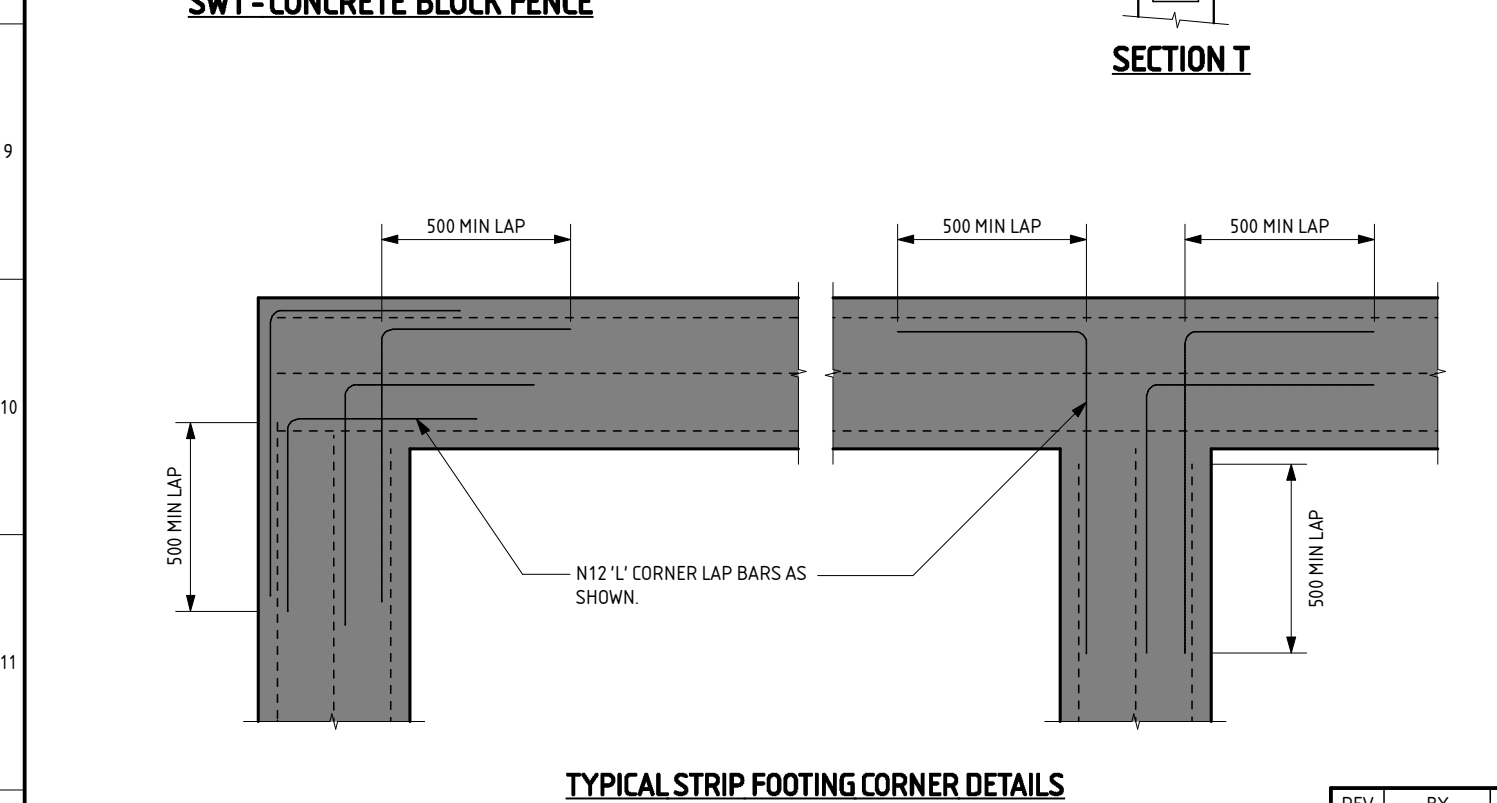
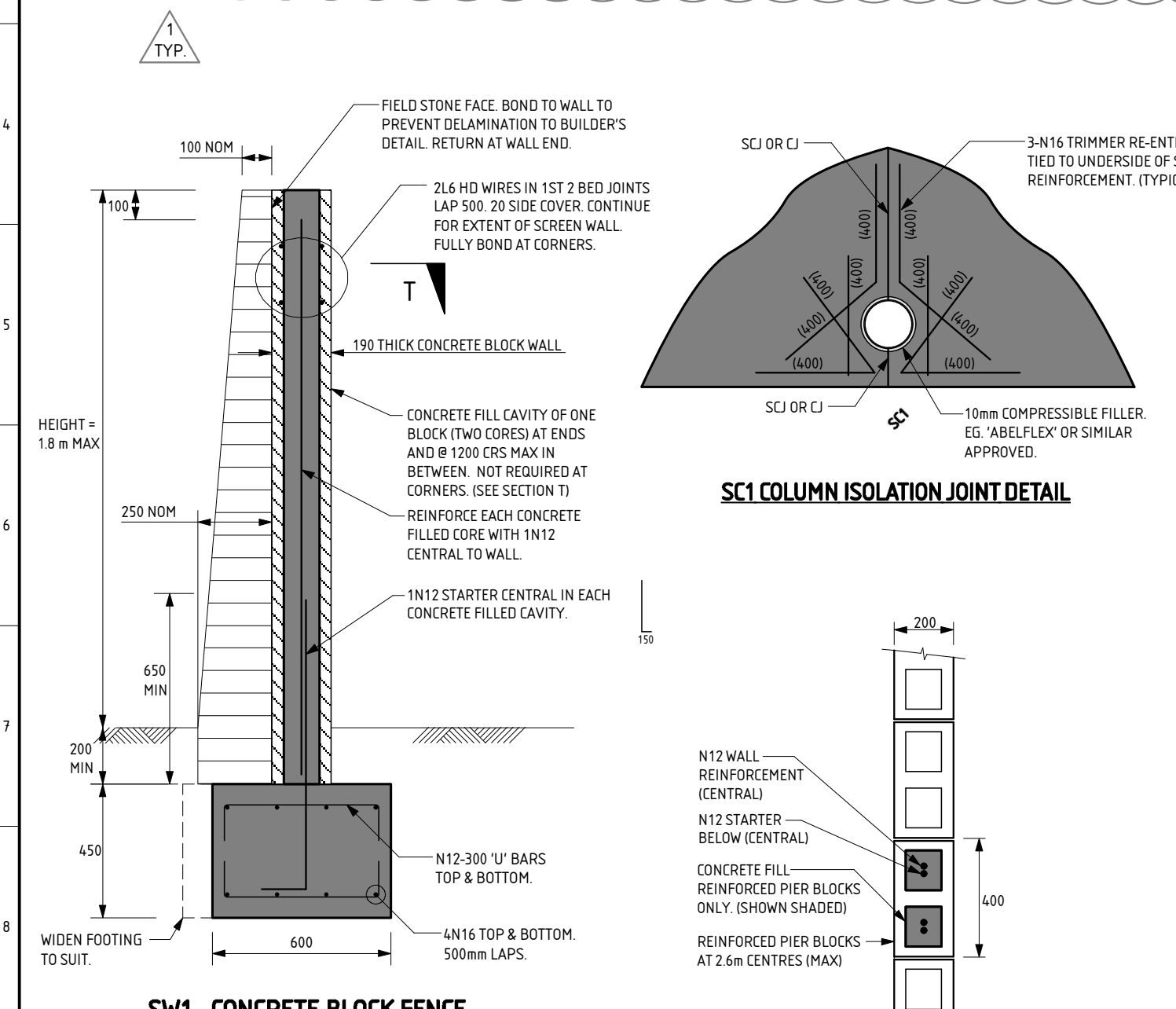
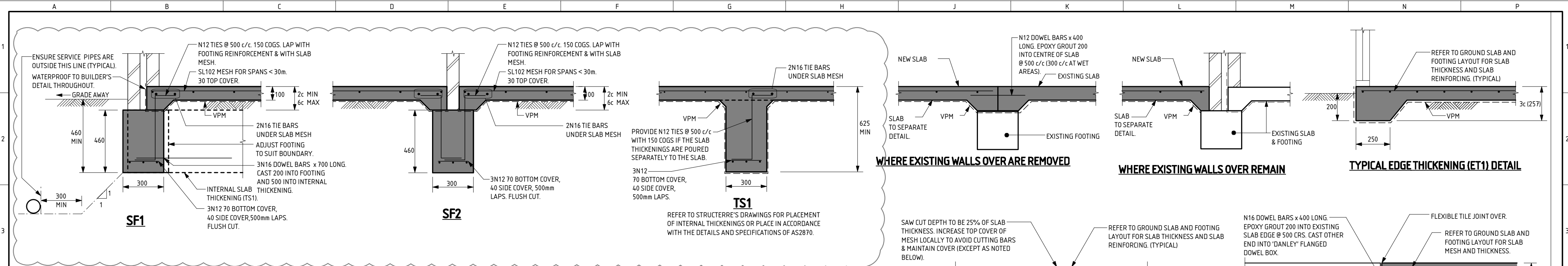
APPROVED BY:

STRUCterre
 consulting engineers

Zenia Pty. Ltd. (ABN: 71 369 772 837) ATN The Young Purlin and Higham Unit Trust trading as StrucTerre Consulting Engineers
 1 ERINDALE ROAD, BALCATTA WA, 6021
 TEL (08) 9295 4500 FAX (08) 9295 4541 EMAIL: Perth@strucTerre.com.au

PROJECT No.	1.16.44739	PROJECT	LOT 263 (#49) GORDON STREET KONDININ WA 6367
SCALE	1:100	CLIENT	KONDININ COMMUNITY RECREATION COUNCIL INC
SHEET	S201	SIZE	A2

COPYRIGHT STRUCterre CONSULTING ENGINEERS. THESE DRAWINGS ARE THE SOLE PROPERTY OF STRUCterre CONSULTING ENGINEERS AND MAY NOT BE USED IN WHOLE OR IN PART WITHOUT WRITTEN OR FORMAL PERMISSION FROM STRUCterre CONSULTING ENGINEERS.



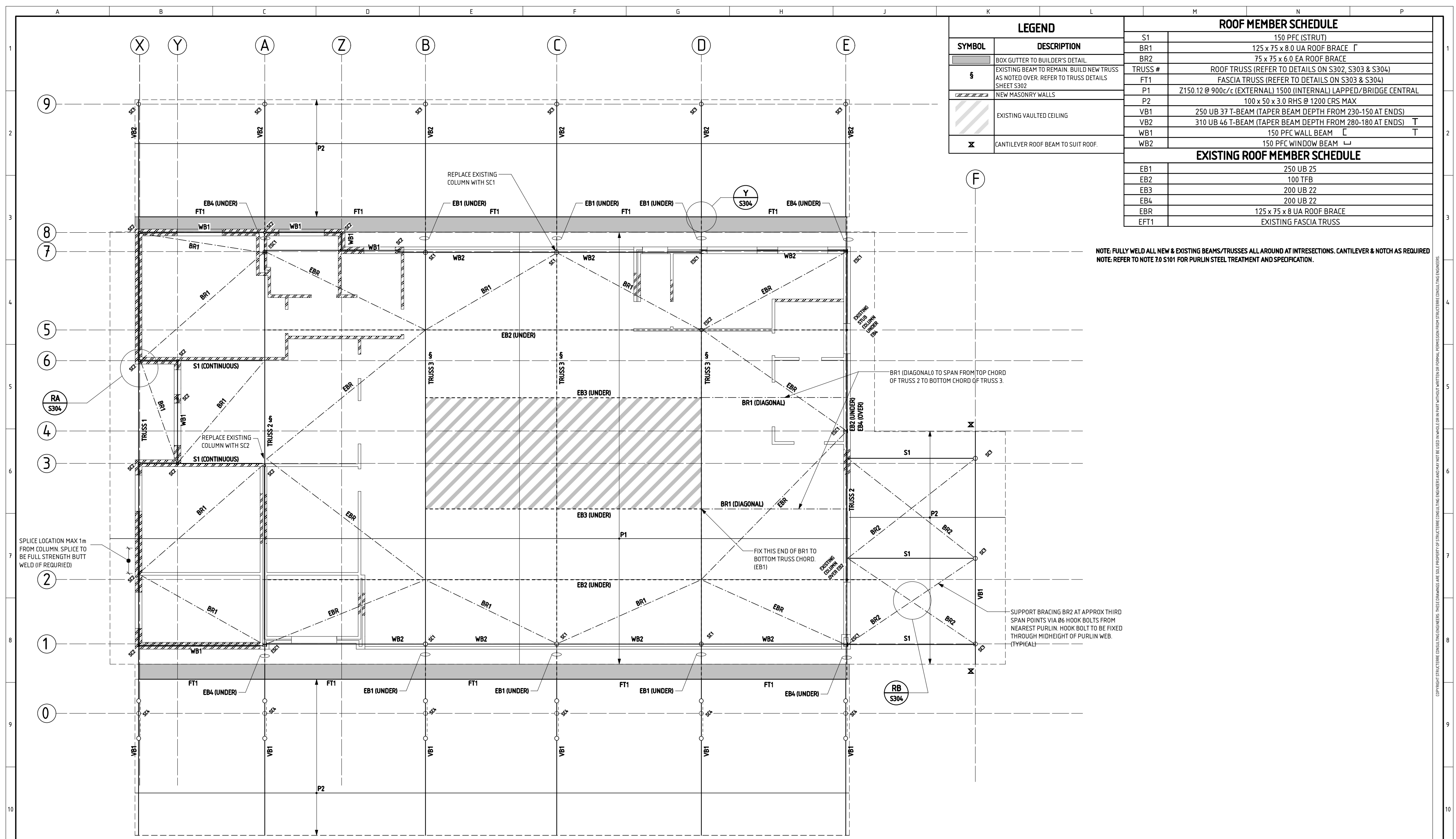
NOTE: THESE FOOTING DETAILS ARE TO BE READ IN CONJUNCTION WITH THE REACTIVE SITE NOTES.

REV	BY	ISSUE / REVISION DESCRIPTION	DATE	DRAWN	Robert Burns
1	ROB/ASA	FOOTINGS REVISED BASED ON SITE ASSESSMENT (S101, S201, S202)	10/01/18	DESIGNED	Andrew Sanderson
0	DES/ASA	ISSUED FOR CONSTRUCTION	23/06/17	REVIEWED	Paul Colley
A	ROB/ASA	PRELIMINARY DRAWINGS	09/06/17	DATE	May 2017
				APPROVED BY:	

STRUCterre
consulting engineers
Zenith Pty. Ltd. (ABN: 71 369 772 837) AT: The Young Purlin and Higham Unit Trust trading as StrucTerre Consulting Engineers
1 ERINDALE ROAD, BALCATTA WA, 6021
TEL (08) 9295 4500 FAX (08) 9295 4541 EMAIL: perth@strucTerre.com.au

PROJECT No.	1.16.44739	PROJECT	LOT 263 (#49) GORDON STREET KONDIRIN WA 6367
SCALE	1:20	CLIENT	KONDIRIN COMMUNITY RECREATION COUNCIL INC
SHEET	S202	SIZE	A2

COPYRIGHT STRUCterre CONSULTING ENGINEERS. THESE DRAWINGS ARE THE PROPERTY OF STRUCterre CONSULTING ENGINEERS AND ARE NOT TO BE USED IN WHOLE OR IN PART WITHOUT WRITTEN OR FORMAL PERMISSION FROM STRUCterre CONSULTING ENGINEERS.



LEGEND	
SYMBOL	DESCRIPTION
	BOX GUTTER TO BUILDER'S DETAIL
	EXISTING BEAM TO REMAIN. BUILD NEW TRUSS AS NOTED OVER. REFER TO TRUSS DETAILS SHEET S302
	NEW MASONRY WALLS
	EXISTING VAULTED CEILING
	CANTILEVER ROOF BEAM TO SUIT ROOF.

ROOF MEMBER SCHEDULE	
S1	150 PFC (STRUT)
BR1	125 x 75 x 8.0 UA ROOF BRACE
BR2	75 x 75 x 6.0 EA ROOF BRACE
TRUSS #	ROOF TRUSS (REFER TO DETAILS ON S302, S303 & S304)
FT1	FASCIA TRUSS (REFER TO DETAILS ON S303 & S304)
P1	Z150.12 @ 900c/c (EXTERNAL) 1500 (INTERNAL) LAPPED BRIDGE CENTRAL
P2	100 x 50 x 3.0 RHS @ 1200 CRS MAX
VB1	250 UB 37 T-BEAM (TAPER BEAM DEPTH FROM 230-150 AT ENDS)
VB2	310 UB 46 T-BEAM (TAPER BEAM DEPTH FROM 280-180 AT ENDS)
WB1	150 PFC WALL BEAM
WB2	150 PFC WINDOW BEAM
EXISTING ROOF MEMBER SCHEDULE	
EB1	250 UB 25
EB2	100 TFB
EB3	200 UB 22
EB4	200 UB 22
EBR	125 x 75 x 8 UA ROOF BRACE
EFT1	EXISTING FASCIA TRUSS

NOTE: FULLY WELD ALL NEW & EXISTING BEAMS/TRUSSES ALL AROUND AT INTERSECTIONS. CANTILEVER & NOTCH AS REQUIRED. NOTE: REFER TO NOTE 7.0 S101 FOR PURLIN STEEL TREATMENT AND SPECIFICATION.

ROOF PLAN 1:100

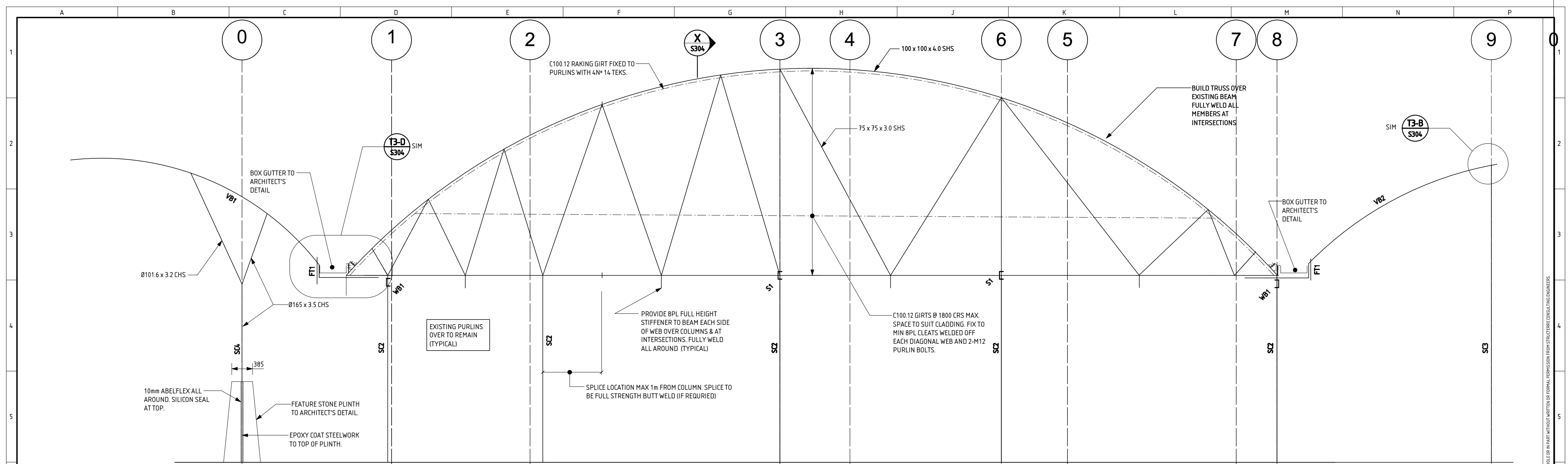
REV	BY	ISSUE / REVISION DESCRIPTION	DATE	DRAWN
A	ROB/ASA	PRELIMINARY DRAWINGS	09/06/17	DESIGNED
0	DES/ASA	ISSUED FOR CONSTRUCTION	23/06/17	REVIEWED
				DATE
				APPROVED BY:

STRUCterre
consulting engineers

Zenia Pty. Ltd. (ABN: 71 349 772 837) ATC the Young Purlin and Higham Unit Trust trading as StrucTerre Consulting Engineers
1 ERINDALE ROAD, BALCATTA WA, 6021
TEL (08) 9295 4500 FAX (08) 9295 4541 EMAIL: perth@strucTerre.com.au

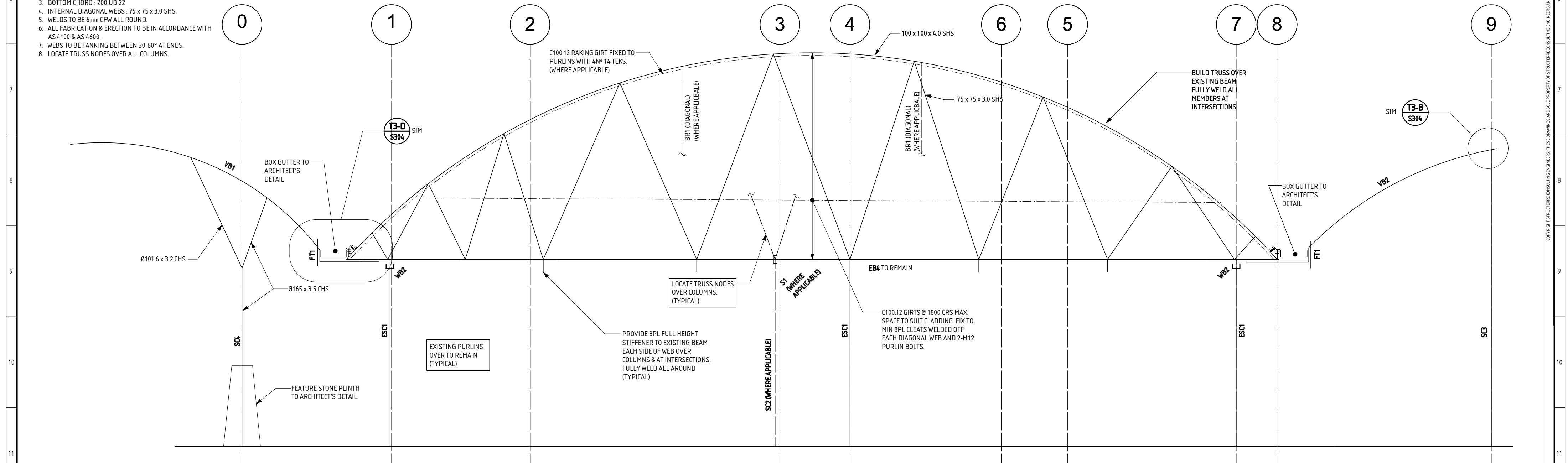
PROJECT No.	1.16.44739	PROJECT	LOT 263 (#49) GORDON STREET KONDININ WA 6367
SCALE	1:100	CLIENT	KONDININ COMMUNITY RECREATION COUNCIL INC
SHEET	S301	SIZE	A2

COPYRIGHT STRUCterre CONSULTING ENGINEERS. THESE DRAWINGS ARE THE SOLE PROPERTY OF STRUCterre CONSULTING ENGINEERS AND MAY NOT BE USED IN WHOLE OR IN PART WITHOUT WRITTEN PERMISSION FROM STRUCterre CONSULTING ENGINEERS.



ROOF TRUSS T1 1:50

- REFER TO ARCHITECTURAL DRAWINGS FOR EXACT TRUSS DIMENSIONS
- TOP CHORD: 100 x 100 x 4.0 SHS
- BOTTOM CHORD: 200 UB 22
- INTERNAL DIAGONAL WEBS: 75 x 75 x 3.0 SHS.
- WELDS TO BE 6mm CFW ALL ROUND.
- ALL FABRICATION & ERECTION TO BE IN ACCORDANCE WITH AS 4100 & AS 4600.
- WEBS TO BE FANNING BETWEEN 30-60° AT ENDS.
- LOCATE TRUSS NODES OVER ALL COLUMNS.



ROOF TRUSS T2 1:50

- REFER TO ARCHITECTURAL DRAWINGS FOR EXACT TRUSS DIMENSIONS
- TOP CHORD: 100 x 100 x 4.0 SHS
- BOTTOM CHORD: EB4 (REFER TO SHEET S301)
- INTERNAL DIAGONAL WEBS: 75 x 75 x 3.0 SHS.
- WELDS TO BE 6mm CFW ALL ROUND.
- ALL FABRICATION & ERECTION TO BE IN ACCORDANCE WITH AS 4100 & AS 4600.
- WEBS TO BE FANNING BETWEEN 30-60° AT ENDS.
- LOCATE TRUSS NODES OVER ALL COLUMNS.

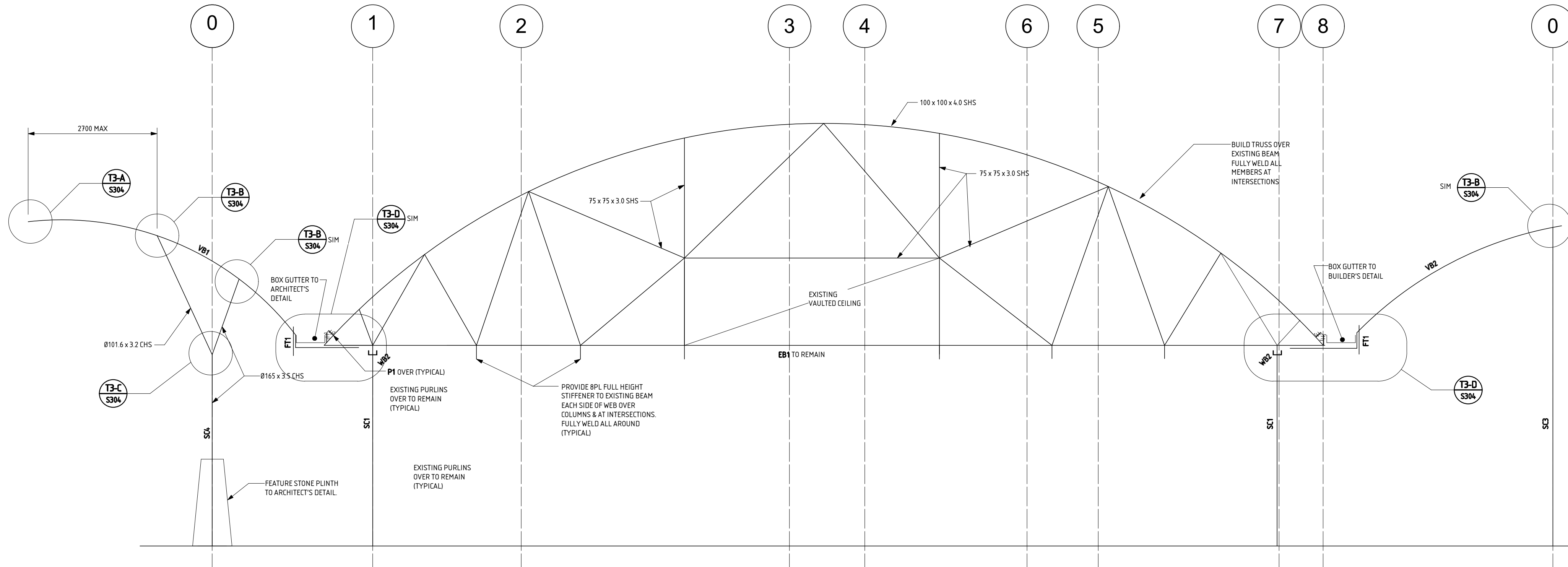
REV	BY	ISSUE / REVISION DESCRIPTION	DATE	DRAWN	Robert Burns
A	ROB/ASA	PRELIMINARY DRAWINGS	09/06/17	DESIGNED	Andrew Sanderson
0	DES/ASA	ISSUED FOR CONSTRUCTION	23/06/17	REVIEWED	Paul Colley
				DATE	May 2017
				APPROVED BY:	<i>[Signature]</i>

STRUCterre
consulting engineers

Zemla Pty. Ltd. (ABN: 71 349 772 837) ATFE The Young Pines and Higham
Unit Trust trading as StrucTerre Consulting Engineers
1 ERINDALE ROAD, BALCATTA WA 6021
TEL (08) 9295 4500 FAX (08) 9295 4541 EMAIL: perth@strucTerre.com.au

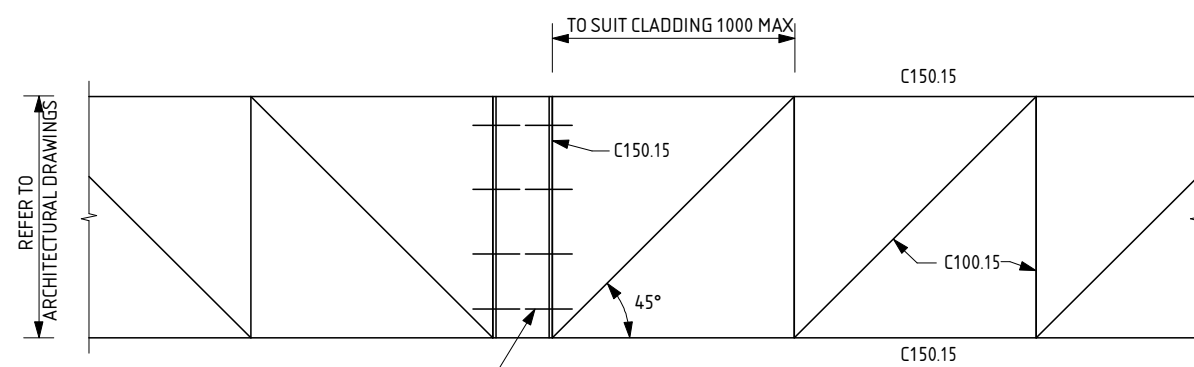
PROJECT No.	1.16.44739	PROJECT	LOT 263 (#49) GORDON STREET KONDININ WA 6367
SCALE	1:50	CLIENT	KONDININ COMMUNITY RECREATION COUNCIL INC
SHEET	S302	SIZE	A2

COPYRIGHT STRUCterre CONSULTING ENGINEERS. THESE DRAWINGS ARE THE SOLE PROPERTY OF STRUCterre CONSULTING ENGINEERS AND MAY NOT BE USED IN WHOLE OR IN PART WITHOUT WRITTEN PERMISSION FROM STRUCterre CONSULTING ENGINEERS.



ROOF TRUSS T3 1:50

1. REFER TO ARCHITECTURAL DRAWINGS FOR EXACT TRUSS DIMENSIONS
2. TOP CHORD : 100 x 100 x 4.0 SHS
3. BOTTOM CHORD : EB1 (REFER TO SHEET S301)
4. INTERNAL VERTICAL & DIAGONAL WEBS : 75 x 75 x 3.0 SHS.
5. WEBS TO BE 6mm CFW ALL ROUND.
6. ALL FABRICATION & ERECTION TO BE IN ACCORDANCE WITH AS 4100 & AS 4600.
7. WEBS TO BE FANNING BETWEEN 30-60° AT ENDS.
8. LOCATE TRUSS NODES OVER ALL COLUMNS.



FASCIA TRUSS FT1 1:20

1. REFER TO ARCHITECTURAL DRAWINGS FOR EXACT TRUSS DEPTH.
2. TOP AND BOTTOM CHORD : C150.15
3. END VERTICAL WEBS : C150.15
4. INTERNAL VERTICAL WEBS : C100.15
5. DIAGONAL WEBS : C100.15
6. MINIMUM WELD TO BE 100mm LENGTH.
7. ALL FABRICATION & ERECTION TO BE IN ACCORDANCE WITH AS 4100 & AS 4600.
8. WEBS TO BE FANNING BETWEEN 30-60° AT ENDS. SPACE TO SUIT CLADDING.
9. USE 50 x 50 x 3PL WASHERS AT ALL BOLT LOCATIONS.
10. ALL DISSIMILAR METAL CONTACT TO BE ELECTRICALLY ISOLATED.

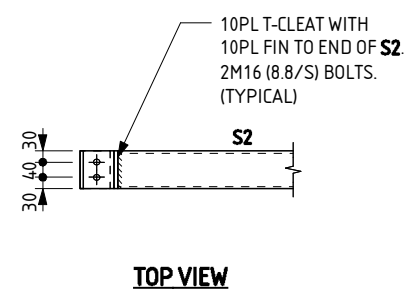
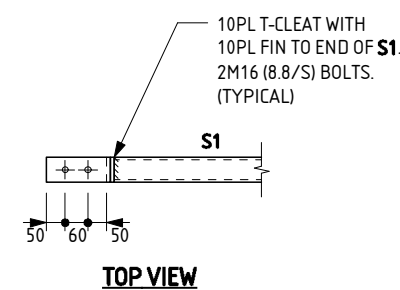
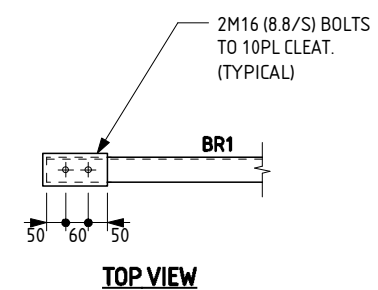
REV	BY	ISSUE / REVISION DESCRIPTION	DATE	DRAWN	Robert Burns
A	ROB/ASA	PRELIMINARY DRAWINGS	09/06/17	DESIGNED	Andrew Sanderson
0	DES/ASA	ISSUED FOR CONSTRUCTION	23/06/17	REVIEWED	Paul Colley
				DATE	May 2017
				APPROVED BY:	

STRUCterre
consulting engineers

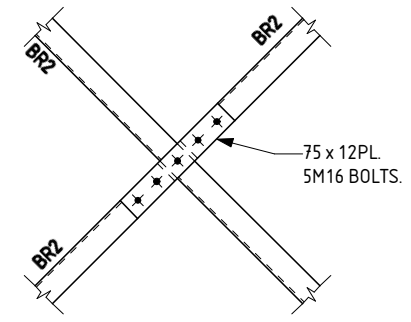
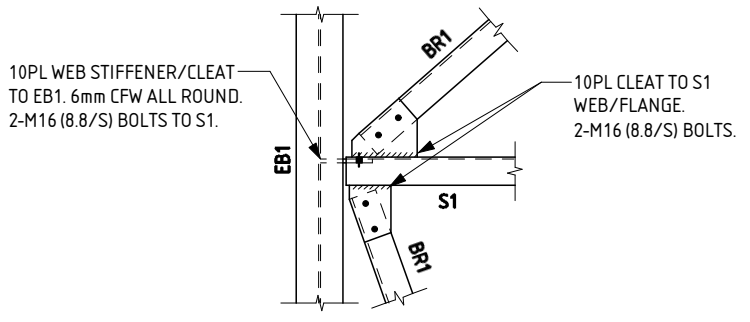
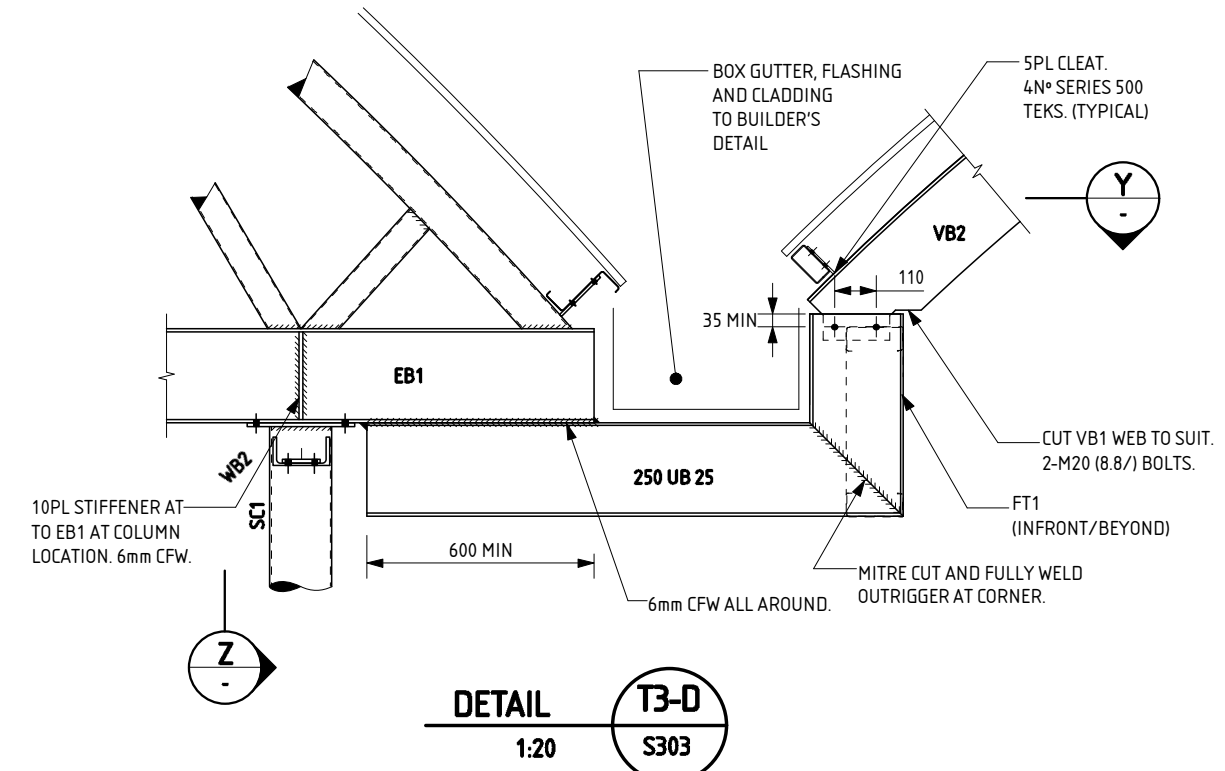
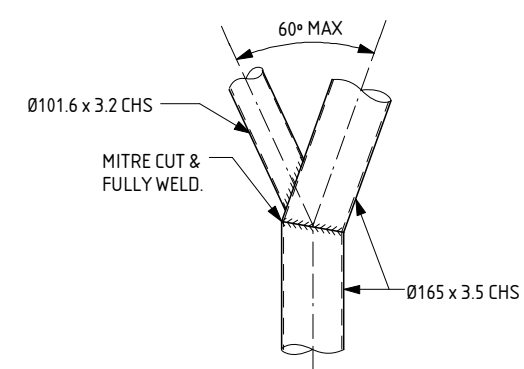
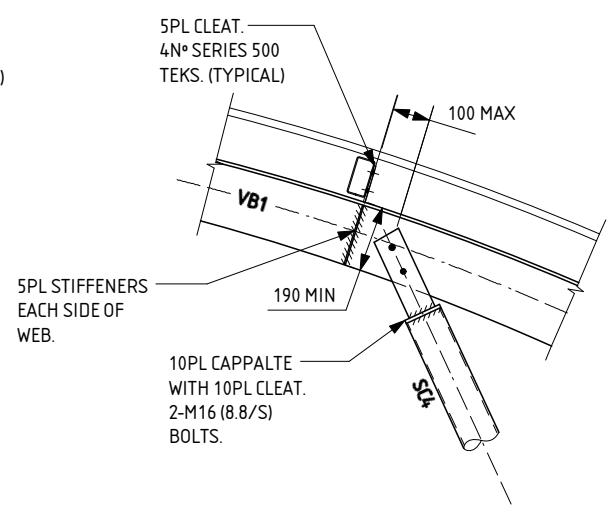
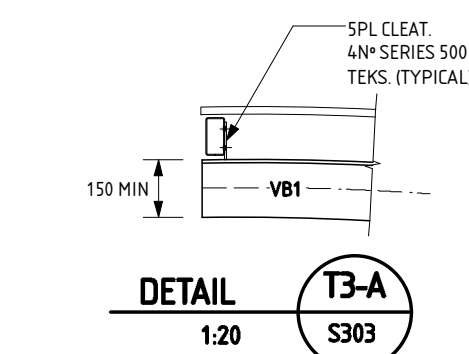
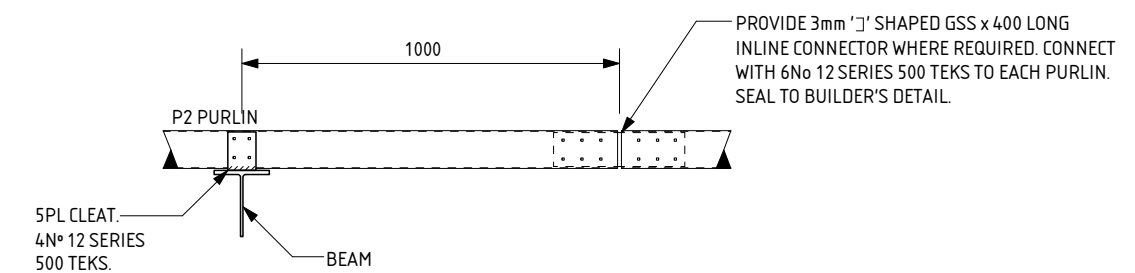
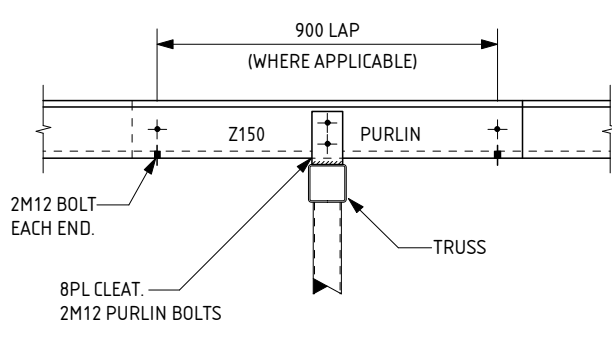
Zemla Pty. Ltd. (ABN: 71 349 772 837) ATFE the Young Purlin and Higham Unit Trust trading as Structerre Consulting Engineers
1 ERINDALE ROAD, BALCATTA WA, 6021
TEL (08) 9295 4500 FAX (08) 9295 4541 EMAIL: perth@structerre.com.au

PROJECT No.	1.16.44739	PROJECT	LOT 263 (#49) GORDON STREET KONDIRIN WA 6367
SCALE	1:50, 1:20	CLIENT	KONDIRIN COMMUNITY RECREATION COUNCIL INC
SHEET	S303	SIZE	A2

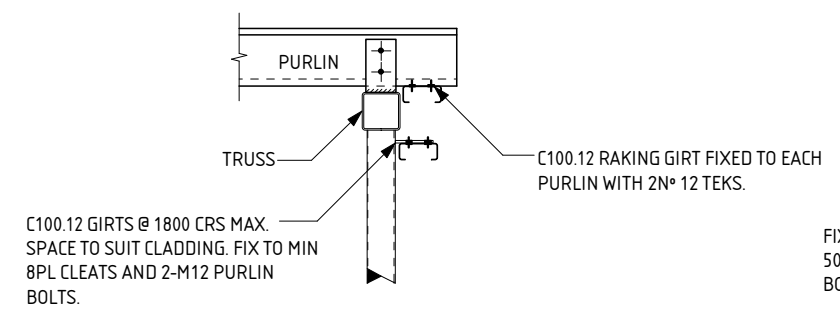
COPYRIGHT STRUCterre CONSULTING ENGINEERS. THESE DRAWINGS ARE THE SOLE PROPERTY OF STRUCterre CONSULTING ENGINEERS AND MAY NOT BE USED IN PART OR IN WHOLE OR IN ANY MANNER WITHOUT WRITTEN PERMISSION FROM STRUCterre CONSULTING ENGINEERS.



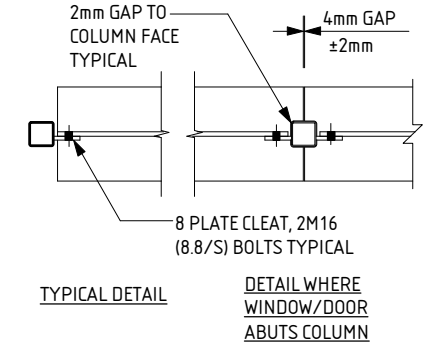
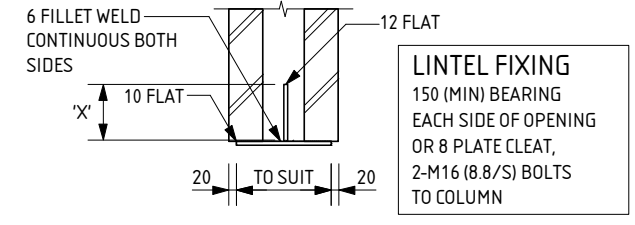
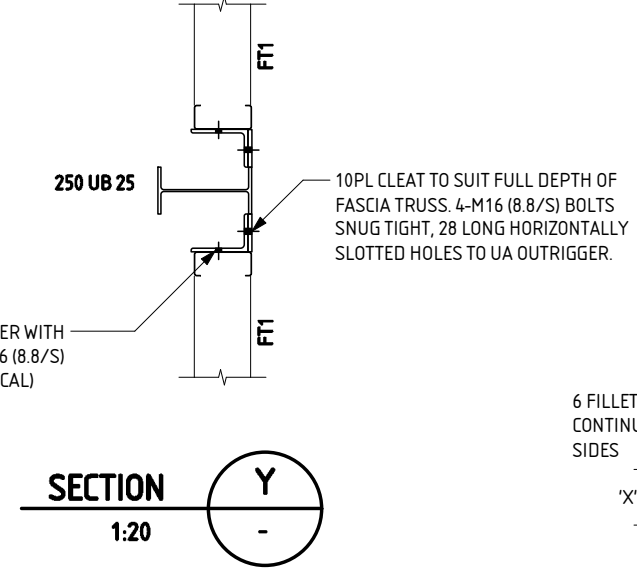
TYPICAL DIAGONAL WEBS TO TOP CHORD DETAIL



• TYPICAL BR2 BRACE INTERSECTION



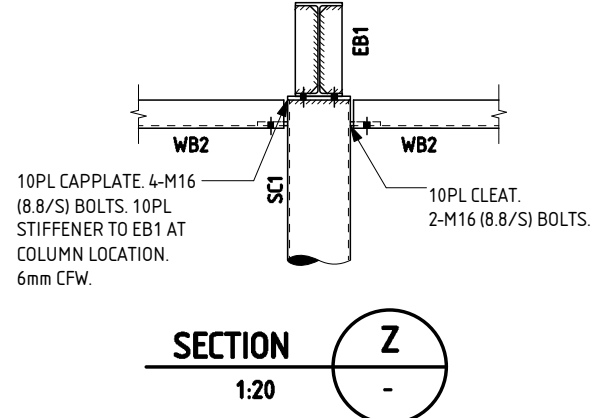
FIX 150 x 100 x 10 UA OUTRIGGER WITH 50 x 50 x 3PL WASHERS & 4-M16 (8.8/S) BOLTS TO FASCIA TRUSS. (TYPICAL)



MARK	CLEAR SPAN	DIM 'X'
L1	UP TO 1000	75
L2	1000 - 2500	100
L3	2500 - 3500	150
L4	3500 - 4500	200
L5	4500 - 5500	250

TYPICAL LINTELS OVER OPENINGS IN 270 BRICKWORK (UNO)

NOTE: EXTERNAL LINTELS NOT CONNECTED TO STEELWORK HAVE NOT BEEN SHOWN FOR CLARITY. LINTELS TO BE SIZED IN ACCORDANCE WITH THE ABOVE TABLE. REFER TO ARCHITECTURAL DRAWINGS FOR CLEAR SPAN DIMENSIONS. ALL LINTELS TO BE CENTRAL TO WALL WITH MIN. 20mm MORTAR COVER TO TOE OF LINTEL.



REV	BY	ISSUE / REVISION DESCRIPTION	DATE	DRAWN
A	ROB/ASA	PRELIMINARY DRAWINGS	09/06/17	DESIGNED Andrew Sanderson
0	DES/ASA	ISSUED FOR CONSTRUCTION	23/06/17	REVIEWED Paul Colley
				DATE May 2017
				APPROVED BY:

STRUCterre
consulting engineers

Zenia Pty. Ltd. (ABN: 71 369 772 837) ATFC the Young Purlin and Higham Unit Trust trading as StrucTerre Consulting Engineers
1 ERINDALE ROAD, BALCATTA WA, 6021
TEL (08) 9295 4500 FAX (08) 9295 4541 EMAIL: perth@strucTerre.com.au

PROJECT No.	1.16.44739	PROJECT	LOT 263 (#49) GORDON STREET KONDIRIN WA 6367
SCALE	1:20	CLIENT	KONDIRIN COMMUNITY RECREATION COUNCIL INC
SHEET	S304	SIZE	A2

COPYRIGHT STRUCterre CONSULTING ENGINEERS. THESE DRAWINGS ARE THE SOLE PROPERTY OF STRUCterre CONSULTING ENGINEERS AND MAY NOT BE USED IN WHOLE OR IN PART WITHOUT WRITTEN OR FORMAL PERMISSION FROM STRUCterre CONSULTING ENGINEERS.