



# WHEATBELT NETWORKS

Lot Two Operations Pty Ltd

## **Development Approval Application**

**Prepared for:** Shire of Kondinin

**Location:** Lot 2 Munday Loop Hyden WA 6359

**Purpose:** Erection of guyed communications tower

**Email:** [operations@wheatbeltnetworks.com.au](mailto:operations@wheatbeltnetworks.com.au)

## Location

See below the proposed location of the new 30m guyed communications tower



The location is Lot 2 Munday Loop Hyden WA 6359 and is located within the Light Industrial Area and is zoned Urban Development.

The location is owned wholly by Lot Two Operations Pty Ltd.

## Purpose

The purpose of this application is to seek approval from the Shire of Kondinin to erect a guyed communications mast for the provision of high speed fixed wireless internet services for residential and commercial use in the area of Hyden, Karlgarin, Kondinin and surrounding areas.

The communications tower will not have the same power output as a typical “Mobile Tower”. The communications tower will have multiple Point to Point microwave dishes installed upon it and multiple Point to Multipoint panels for subscribers to connect too.

Adjacent to the western side of the tower will be a communications room with dimensions 6.0metres long x 2.5metres wide and 2.5metres in height. The room will be a shipping container and will house power backup batteries, communications racks and air conditioning.

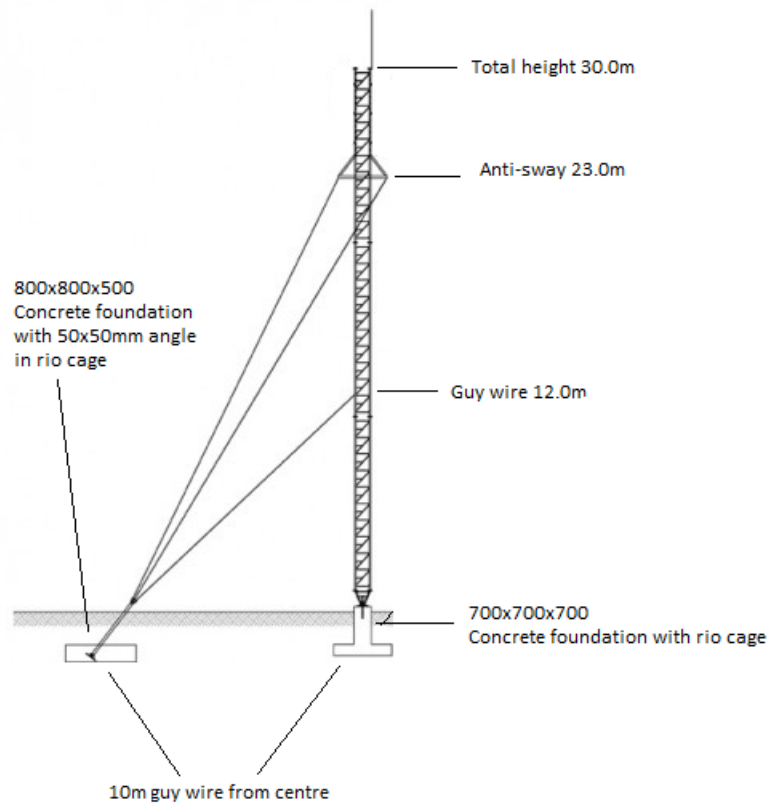
## Access

Access to the tower will be via the main entry gate on Munday Loop as shown below. We do not envisage this to have any detrimental impact on pedestrian traffic nor vehicular traffic.

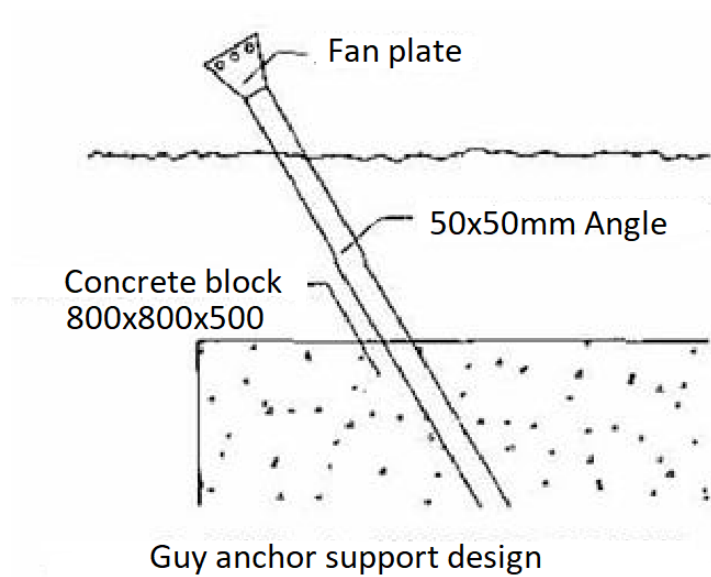


## Drawing

See below the drawing and dimensions of the proposed communications tower.



Guy wires to be constructed of 7x4 galvanised steel with a 6mm overall dimensions.





## **Environmental**

There will be minimal clearing required at the base of the tower and at the guy anchor locations.

## **Operation**

The tower will be functioning at all hours. The tower will emit no light or noise pollution.

## **Contact Information**

For more information or if you have questions, please use the below details:

**Email:** [operations@wheatbeltnetworks.com.au](mailto:operations@wheatbeltnetworks.com.au) (preferred)

**Phone:** 0466 002 003

-- END --